

Installation Instructions

1000BH/G2-1000BH Ligature Resistant Handrail

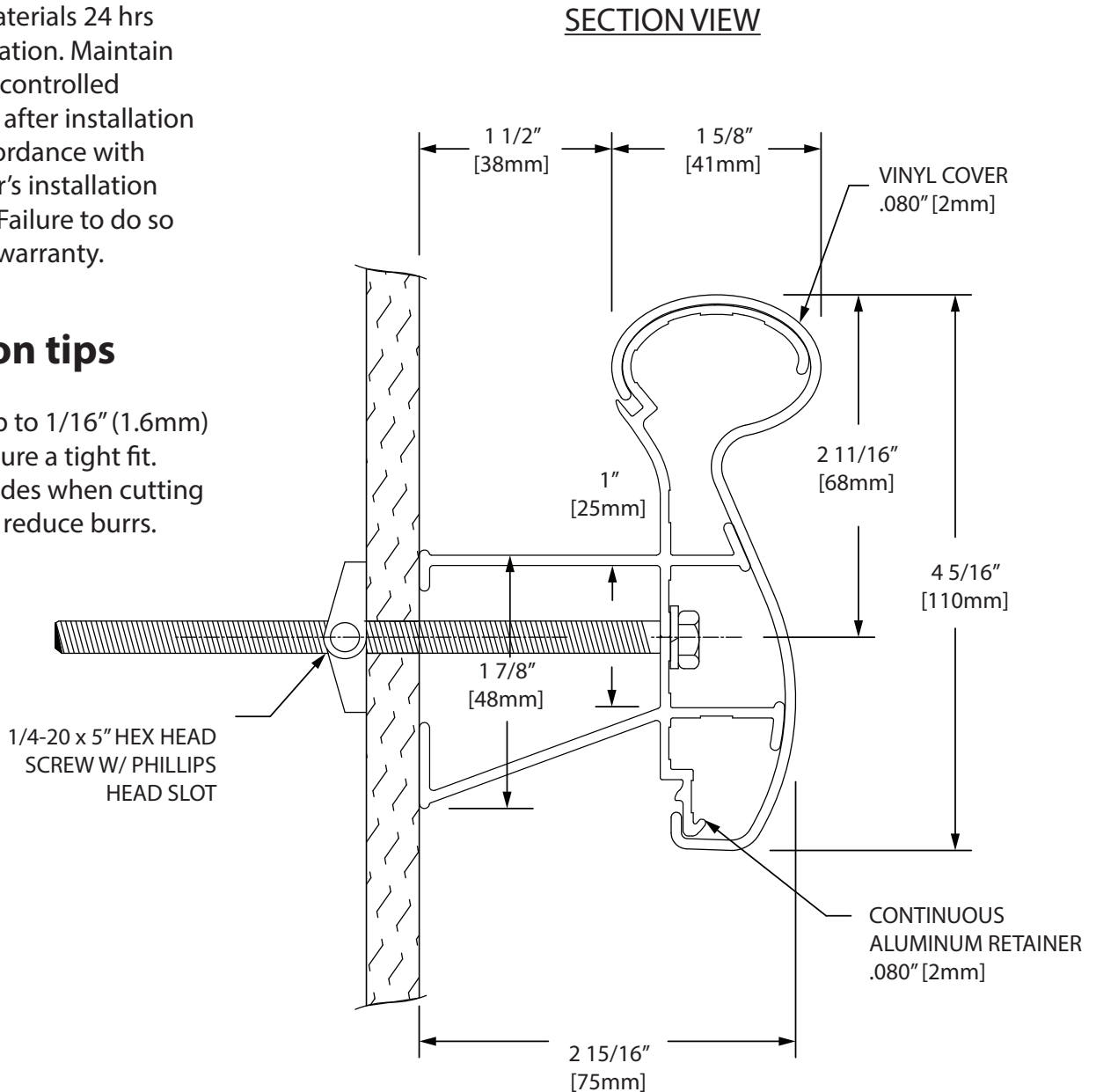
Please read all instructions before installing handrail.

Important

1. Acclimate materials 24 hrs before installation. Maintain temperature controlled environment after installation
2. Install in accordance with manufacturer's installation instructions. Failure to do so will void the warranty.

Installation tips

1. Cut covers up to 1/16" (1.6mm) longer to ensure a tight fit.
2. Lubricate blades when cutting aluminum to reduce burrs.



Recommended tools

Safety Glasses, Tape Measure, 3/8" socket for self drilling hex screw, 7/16" socket for wood screw hex bolt Level, Power Drill, Drill Bits - 13/64" twist bit (returns), 1/4" masonry (concrete/concrete block), Power Miter Saw, 10" Blade with 60-80 Carbide Tipped Teeth

IPC.1686/REV.3

IPC® Door + Wall Protection

inpro.com • 800.222.5556 • 262.679.9010

World Headquarters S80 W18766 Apollo Drive, Muskego, WI 53150 USA

Installation Hotline: 866.394.6776

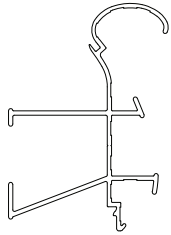
inpro®

Installation Instructions

11000BH/G2-1000BH Ligature Resistant Handrail

Please read all instructions before installing handrail.

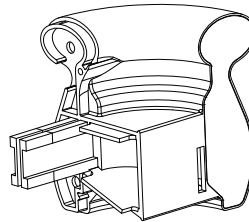
Components and fasteners



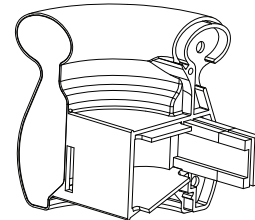
1000BHA
CONTINUOUS
ALUMINUM
BRACKET



1000V
COVER



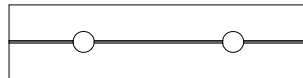
1002BH
LEFT RETURN



1003BH
RIGHT RETURN



1/4-14 X 1 1/4
SELF-DRILLING
HEX SCREW



804 SPLICE



1/4" LOCK
WASHER



1/4-20
FLANGE
HEX NUT



1/4-20 HEX
WASHER
SCREW



PICK PROOF SEALANT

Wall Condition	Specified Fasteners	Inpro Part #
Steel Stud/Gypsum Wall	1/4-20 x 5" Phillips hex head Bolt with toggle wing and lock washer	HWK-801D
Concrete/Concrete Block	1/4-20 x 5" Phillips hex head bolt with lead anchor and lock washer	HWK-801C
Wood Stud/Gypsum Wall	1/4" x 5" Hex Head Wood Screw and lock washer	HWK-801W
16 gauge steel Backer/Gypsum wall	#14 X 4" Indented hex washer, zink-plated TEK SCREW	HW69
Steel Stud or Metal Backer/Drywall (OSHDP)	1/4-20 x 5" Phillips hex head Bolt with lock washer and 1/4" Hilti Toggler	HWK-801OD
Concrete/Concrete Block (OSHDP)	1/4" x 4" Torx Hex Washer Head Screw (Hilti Kwik-Con II) and lock washer	HWK-801OC
Wood Stud or Wood Backer/Gypsum Wall (OSHDP)	1/4" x 5" Hex Head Wood Screw and lock washer	HWK-801OW

IPC® Door + Wall Protection

inpro.com • 800.222.5556 • 262.679.9010

World Headquarters S80 W18766 Apollo Drive, Muskego, WI 53150 USA

Installation Hotline: 866.394.6776

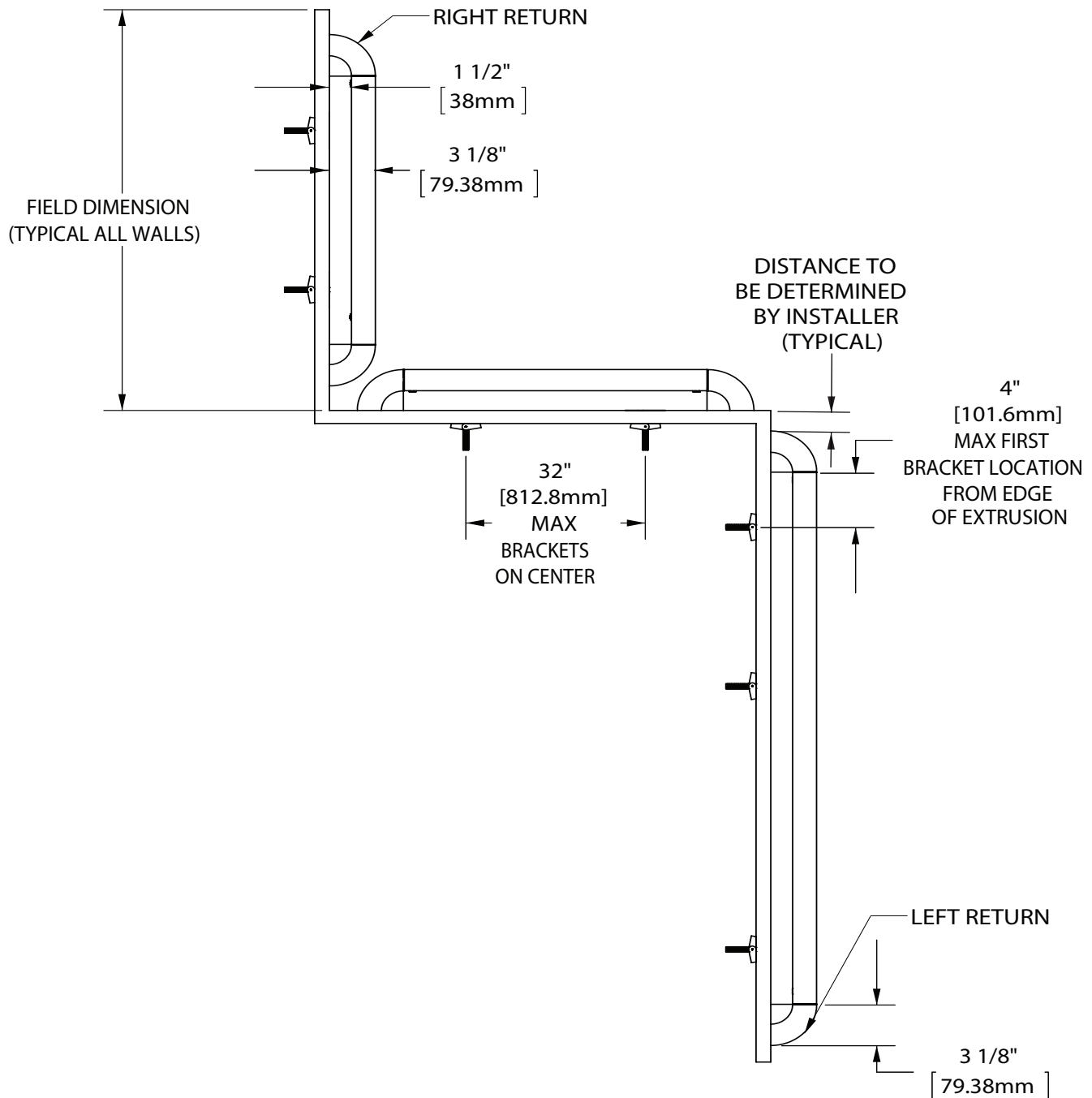
inpro®

Installation Instructions

1000BH/G2-1000BH Ligature Resistant Handrail

Please read all instructions before installing handrail.

Layout view



IPC® Door + Wall Protection

inpro.com • 800.222.5556 • 262.679.9010

World Headquarters S80 W18766 Apollo Drive, Muskego, WI 53150 USA

Installation Hotline: 866.394.6776

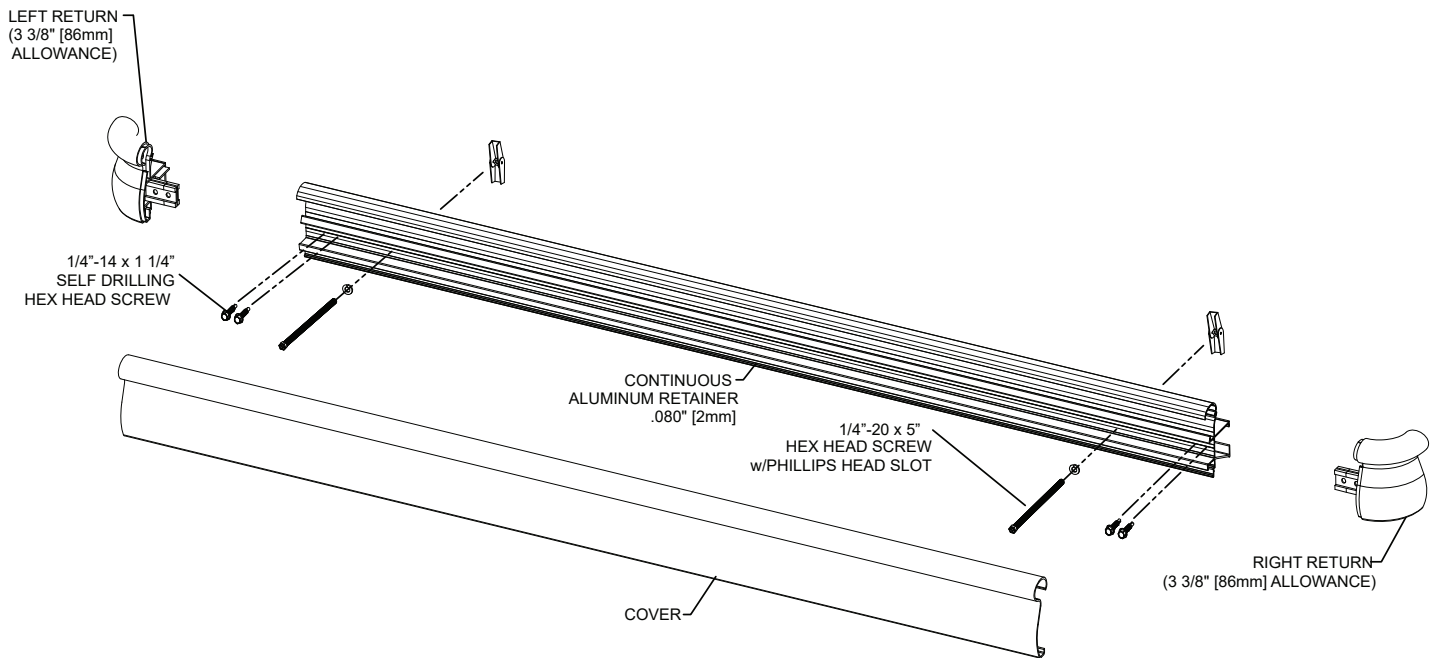
inpro®

Installation Instructions

1000BH/G2-1000BH Ligature Resistant Handrail

Please read all instructions before installing handrail.

Exploded Assembly View



IPC® Door + Wall Protection

inpro.com • 800.222.5556 • 262.679.9010

World Headquarters S80 W18766 Apollo Drive, Muskego, WI 53150 USA

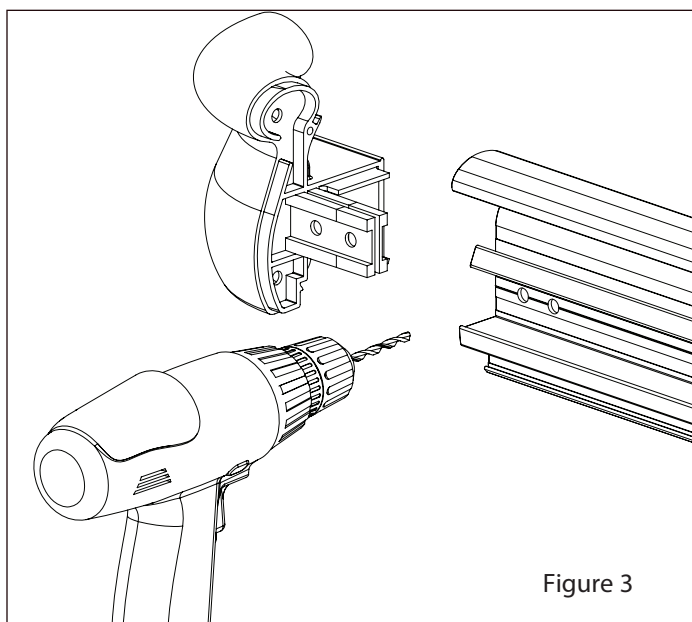
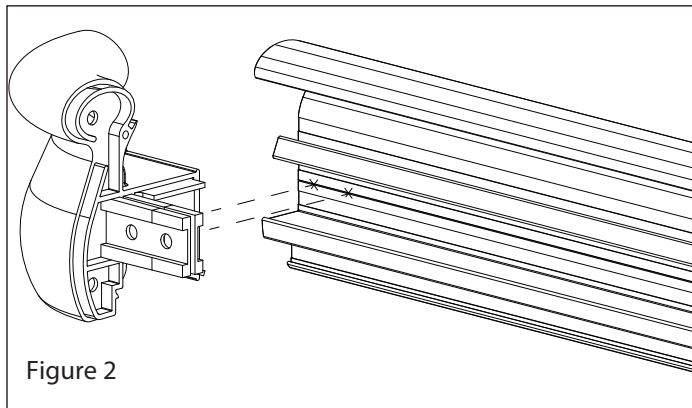
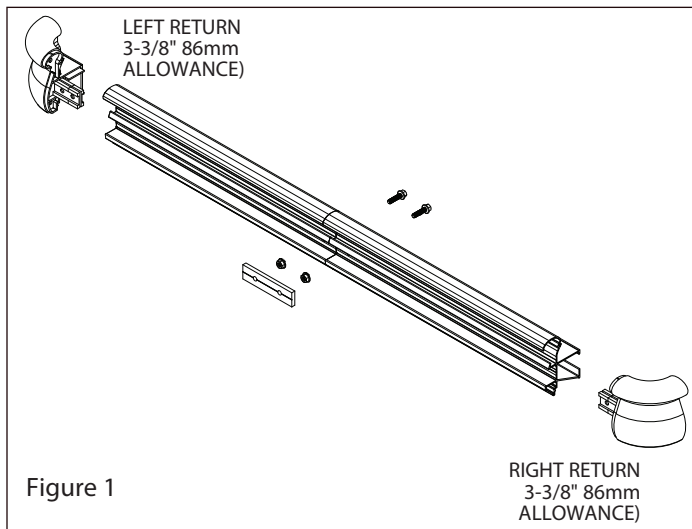
Installation Hotline: 866.394.6776

inpro®

Installation Instructions

1000BH/G2-1000BH Ligature Resistant Handrail

Please read all instructions before installing handrail.



1. Continuous 1000 handrail system includes the following components: 12' [3.7M] aluminum retainer lengths, left return pieces, right return pieces, press-in endcaps, pick-proof sealant, self drilling hex screws, 12' [3.7M] vinyl cover lengths, and substrate mounting hardware.
2. Cut the aluminum retainer to the required length, allowing 3-3/8" (86mm) for each return.
(see figure 1)
3. Slide return onto aluminum retainer, ensuring it is flush and tight to the aluminum retainer. Using the return as a template mark the location of the mounting holes (see figure 2).

Using a number 13/64" drill bit, drill holes into aluminum retainer (see figure 3). Clean any burrs from both sides of the aluminum.

IPC® Door + Wall Protection

inpro.com • 800.222.5556 • 262.679.9010

World Headquarters S80 W18766 Apollo Drive, Muskego, WI 53150 USA

Installation Hotline: 866.394.6776

inpro®

Installation Instructions

1000BH/G2-1000BH Ligature Resistant Handrail

Please read all instructions before installing handrail.

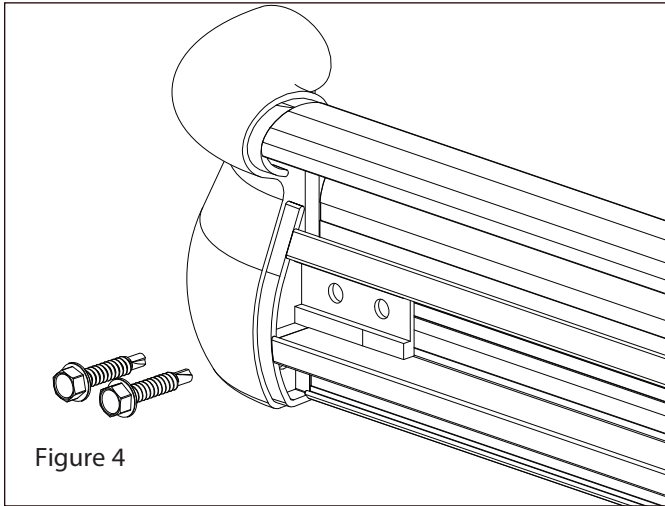


Figure 4

4. Attach the return to the aluminum retainer using the included self drilling hex screws (see figure 4). Repeat for other side of aluminum retainer. Ensure there is no gap between returns and aluminum retainer.

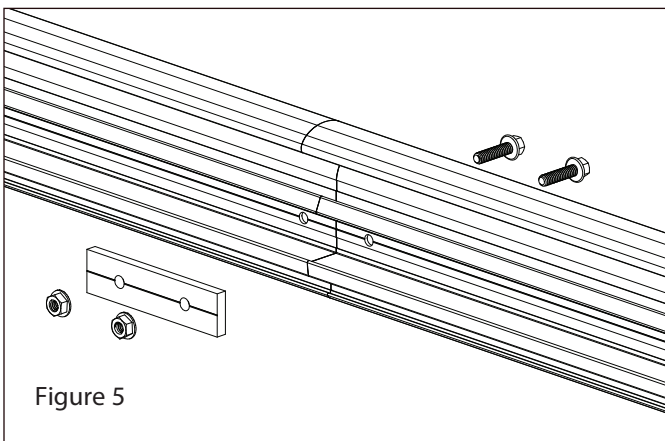


Figure 5

5. When installing lengths greater than 12-feet, use a splice to join sections together. Use the splice as a template to mark hole locations. Bolt sections of aluminum together using the splice and 1/4-20 x 1" serrated hex flange screws and 1/4-20 serrated hex flange nuts. (see figure 5)

IPC® Door + Wall Protection

inpro.com • 800.222.5556 • 262.679.9010

World Headquarters S80 W18766 Apollo Drive, Muskego, WI 53150 USA

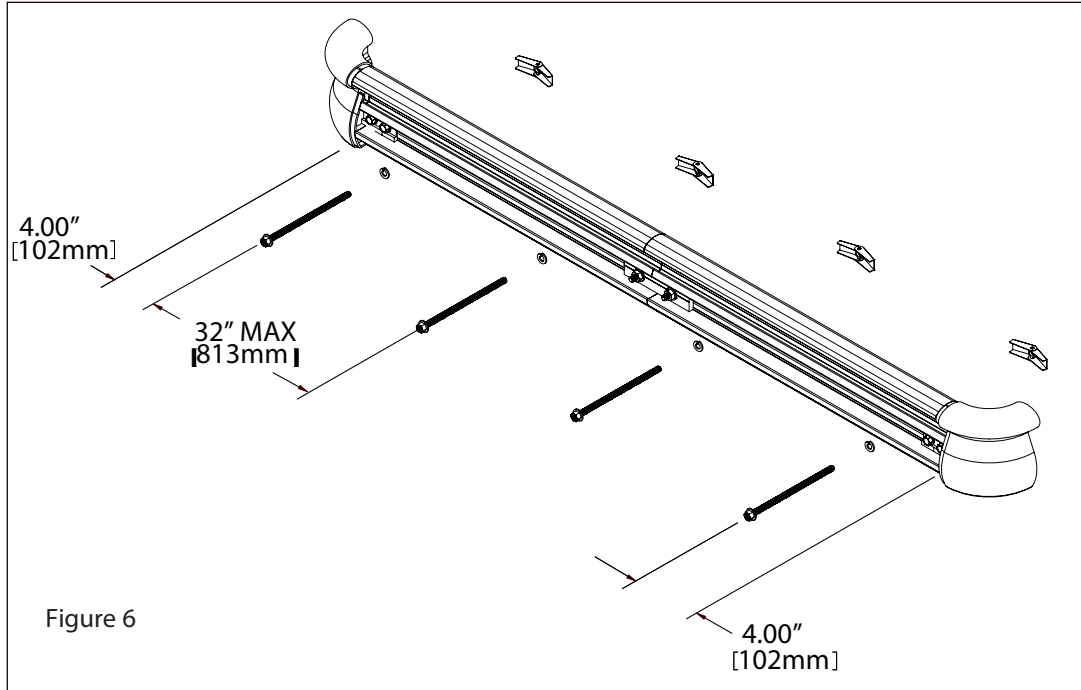
Installation Hotline: 866.394.6776

inpro®

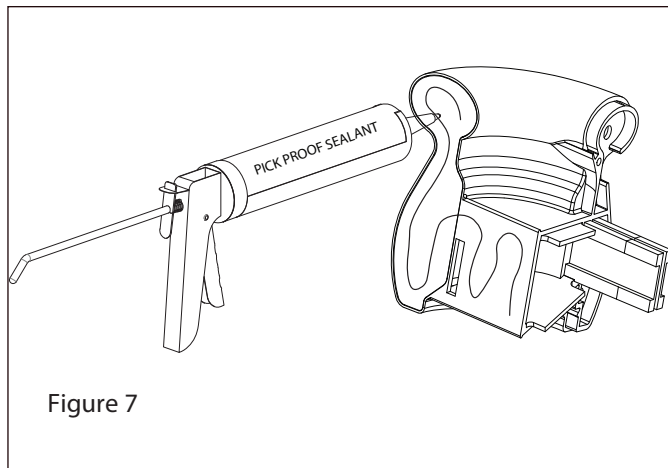
Installation Instructions

1000BH/G2-1000BH Ligature Resistant Handrail

Please read all instructions before installing handrail.



4. Drill 1/4" holes on the centerline of the aluminum retainer and through the continuous mounting bracket, for the mounting fasteners. Holes should be 4" (102mm) from the ends and spaced every 32" (812mm) (see figure 6). Hold the handrail and bracket assembly to the wall at the required height. Level and transfer the mounting holes to the wall. Drill all marked holes on the wall with a 3/4" drill bit for toggle bolts or 1/2" drill bit for lead anchors.
5. Insert one 5" hex head screw, one lock washer and one toggle wing or lead anchor.



6. Apply pick-proof sealant to backside of returns, ensuring coverage across entire surface. (see figure 7)
7. Mount the assembled retainer with bracket into the holes on the wall. Level the retainer and tighten the screws to secure the retainer to the wall.
8. Use mineral spirits to clean up excess sealant from squeeze-out.

IPC® Door + Wall Protection

inpro.com • 800.222.5556 • 262.679.9010

World Headquarters S80 W18766 Apollo Drive, Muskego, WI 53150 USA

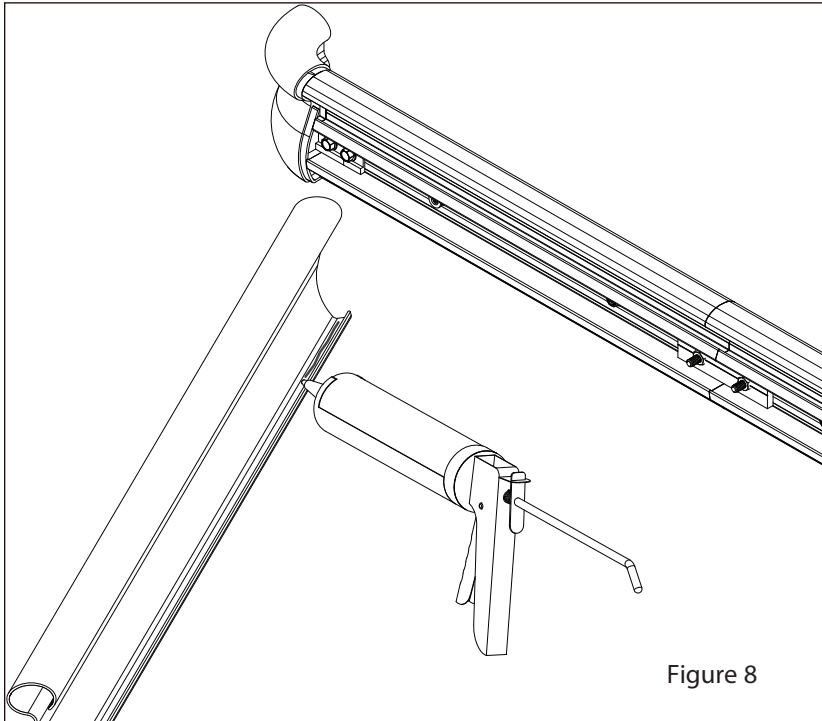
Installation Hotline: 866.394.6776

inpro®

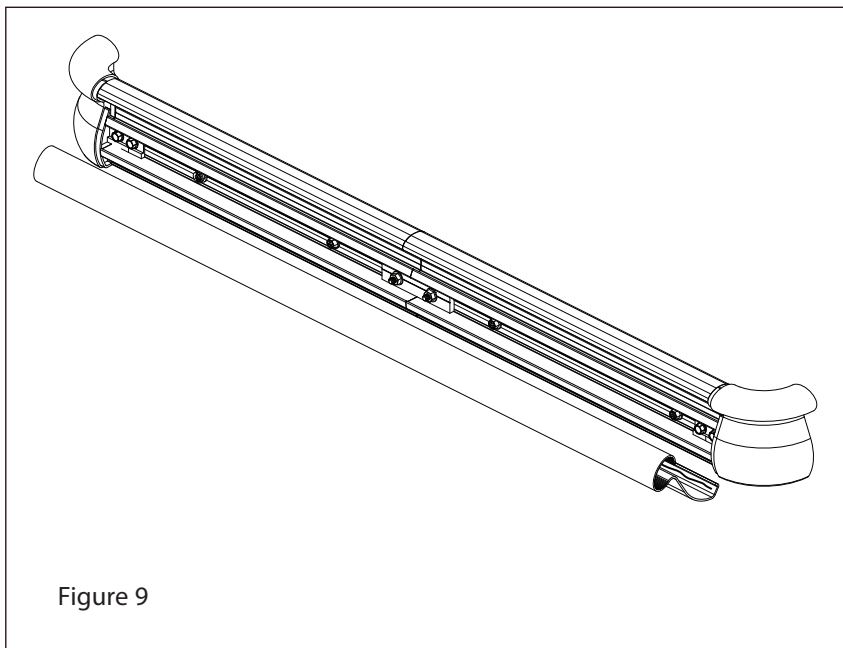
Installation Instructions

1000BH/G2-1000BH Ligature Resistant Handrail

Please read all instructions before installing handrail.



9. Cut the vinyl cover to the distance between the returns and corners. (Note: Trim factory edges square before installation) Lay a bead of pick proof sealant on the bottom lip of the vinyl cover. (see figure 8).



10. Position cover on retainer starting at the bottom and pivot the cover over the top of the retainer until it snaps over into place.(see figure 9).
Clean up excess sealent with mineral spirits.

IPC® Door + Wall Protection

inpro.com • 800.222.5556 • 262.679.9010

World Headquarters S80 W18766 Apollo Drive, Muskego, WI 53150 USA

Installation Hotline: 866.394.6776

inpro®

Installation Instructions

1000BH/G2-1000BH Ligature Resistant Handrail

Please read all instructions before installing handrail.

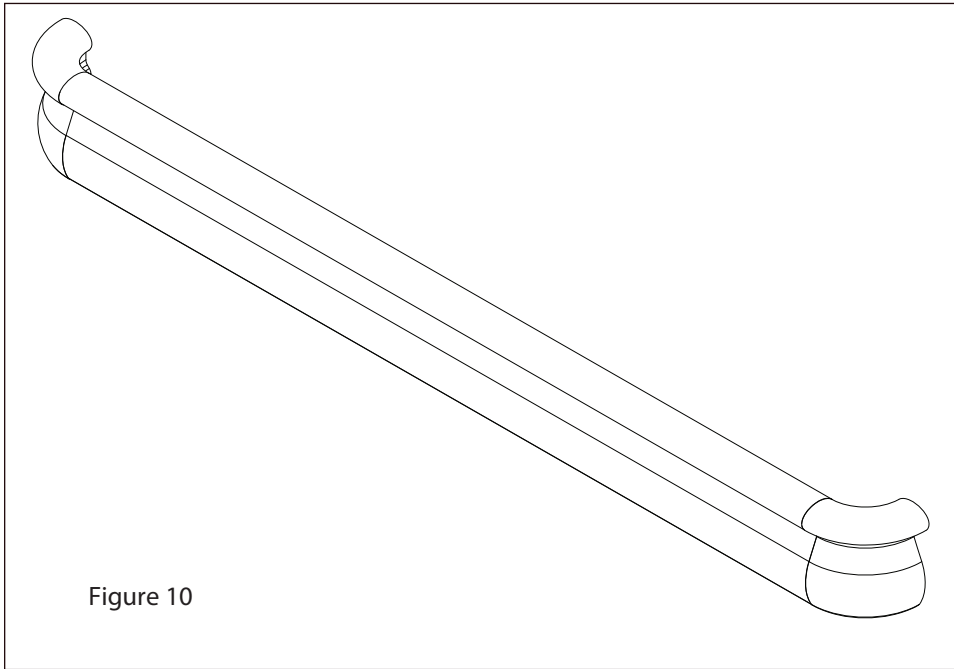


Figure 10

10. Finished installation (see figure 10)

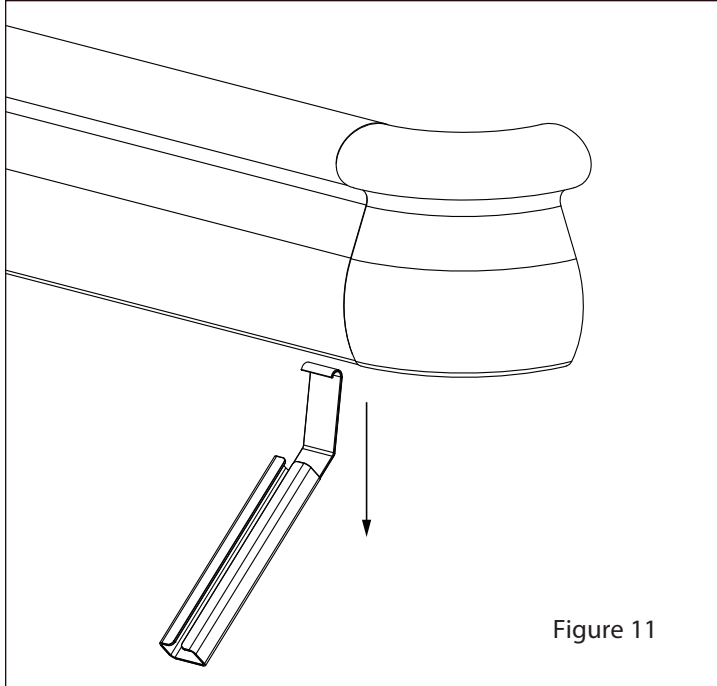


Figure 11

11. If removal of the cover is required, use a cover removal tool by engaging it into the bottom lip of the cover and pulling straight down. (see figure 11)

IPC® Door + Wall Protection

inpro.com • 800.222.5556 • 262.679.9010

World Headquarters S80 W18766 Apollo Drive, Muskego, WI 53150 USA

Installation Hotline: 866.394.6776

inpro®