

Installation Instructions

LED Perimeter Light with Adjustable Brackets



Always turn off power to lighting system and allow system at least 45 sec. to fully discharge before connecting/disconnecting fixtures. Lock-out elevator before installation.

Figure 1

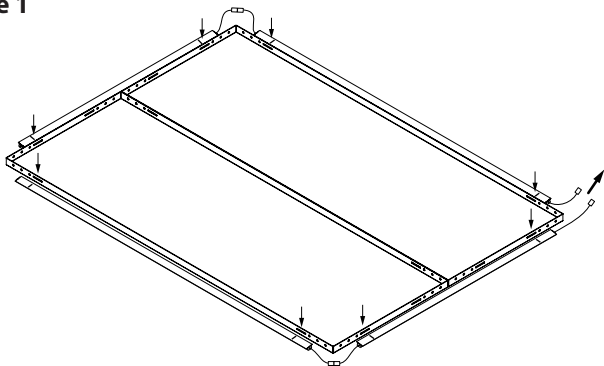


Figure 1a

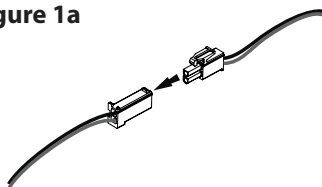


Figure 2

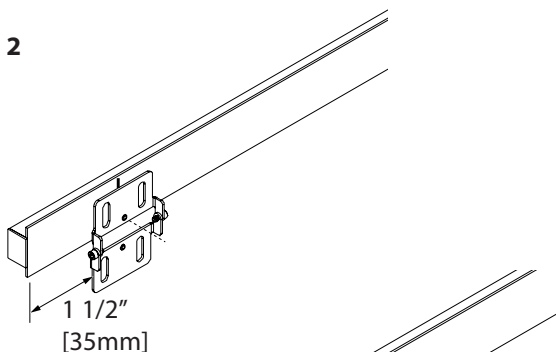
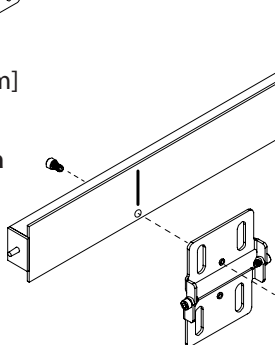


Figure 2a



Please read all instructions before installing any LED lights.

Material must be stored, installed and used in environmentally controlled conditions.

Before wiring any elevator cab always check the local elevator code for proper wiring and lighting guidelines. Inpro will not produce or describe the process of wiring.

It is the installer's responsibility to choose where the power supply and battery back-up are located and which lights will be connected to the battery back up.

See last page for example wiring guide.

Before Installation: Remove lights, brackets, and power supply from packaging. Confirm the quantity of lead wires coming out of the power supply.

Figure 1

1. On a protective surface, assemble the ceiling system per the supplied instructions.
2. Lay out linear lights against each edge. Place the light sticks so they are centered, each light stick should be roughly 4 1/2 inches from each corner.
3. Ensure the plugs on each end will clip into the lead on the next light. (see Figure 1a) Also, verify the layout has the correct number of lead wires for the supplied power supply.
4. Mark the backside of each aluminum light stick, coinciding with the horizontal slots on each corner of the ceiling pan. If you are retrofitting to an existing ceiling, use the provided clips to mark, and drill hole locations for the brackets.

Figure 2

5. At the marked locations, align a bracket so that the inside edge of the clip is flush to the edge. Mark the location of the threaded insert. Repeat for each light stick.
6. Using a 1/8 inch drill bit, drill each marked hole location and fasten the bracket as shown using the supplied socket head screw. (see Figure 2a)

IPC.3209/ REV 2

ASCEND® Elevator Protection

inpro.com • 800.222.5556 • 262.679.9010

World Headquarters S80 W18766 Apollo Drive, Muskego, WI 53150 USA

Installation Hotline: 866.394.6776

inpro®

Installation Instructions

LED Perimeter Light with Adjustable Brackets

Figure 3

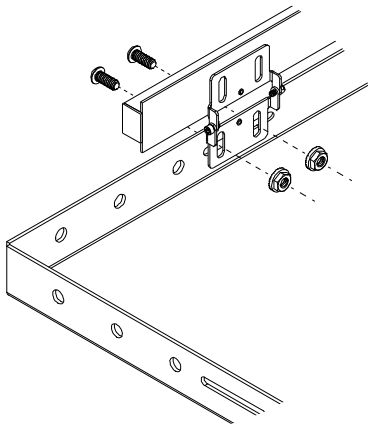


Figure 3

7. Return light and bracket assembly to ceiling and fasten in place using supplied hex head bolts and flanged nuts. Repeat step for each side.
8. Leaving the lights vertical, tighten each set of shoulder bolts on the side of the brackets.

Figure 4

9. Connect each light stick together as they were laid out. Use the supplied cable ties to secure the wiring inside of the pan.

Figure 5

10. After ceiling has been mounted, rotate lights to the desired angle. Tighten shoulder bolts to maintain the angle.



Do not turn on power to the power supply until ALL connections have been made. Failure to do this can result in permanent damage to the power supply.

Figure 4

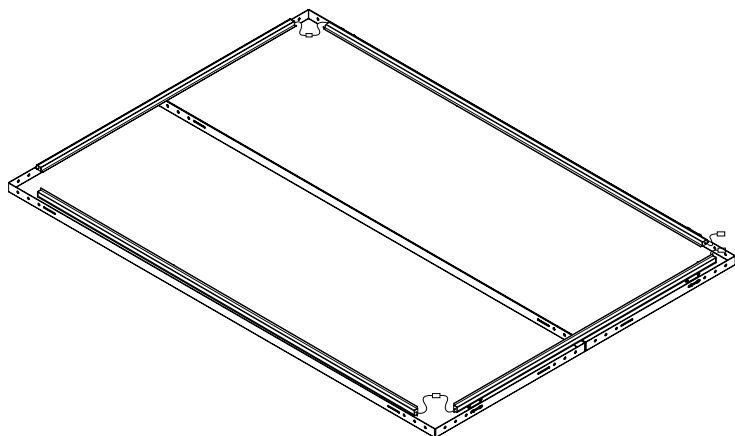
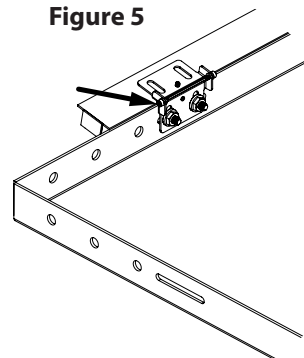


Figure 5



Installation Instructions

LED Perimeter Light with Adjustable Brackets

Figure 6

11. This a diagram of a typical INPRO strip light application. The lengths of the light strips will vary.

Note: The emergency strip light is placed above the doors.

Figure 6

