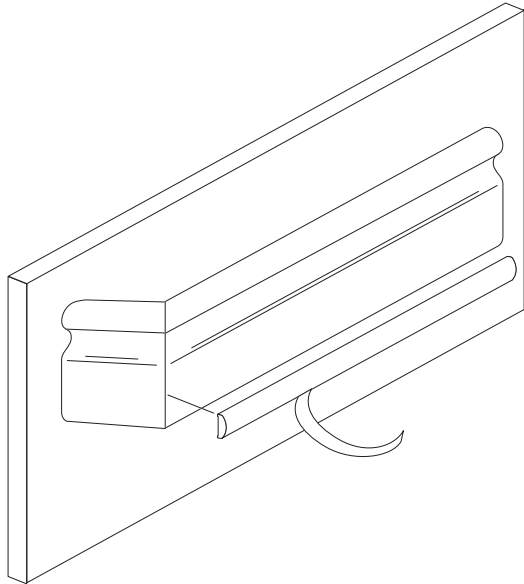


Installation Instructions

100 Flexible Impact Bumper

FIG. 1



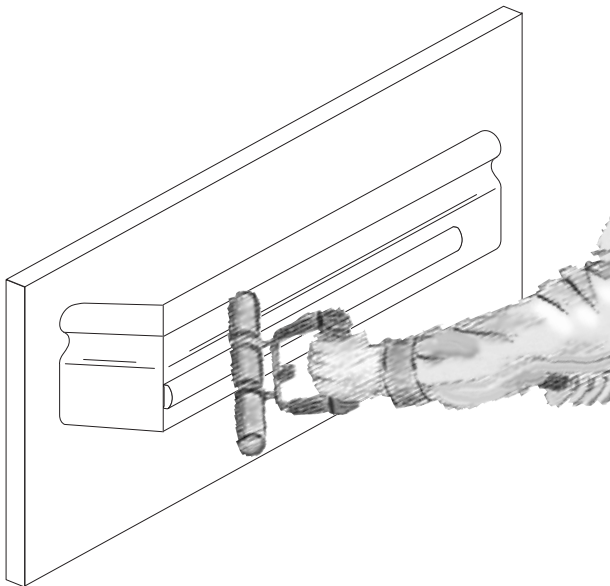
Please read all instructions before installing flexible impact bumper. Material must be stored, installed and used in environmentally controlled conditions.

1. Measure the length of the wood handrail or wood wall guard to be protected with the impact bumper including returns if preferred. Cut impact bumper to required length. NOTE: Do not stretch impact bumper when removing it from the roll or when installing it on the handrail/wall guard.

2. Peel back the adhesive liner and position the impact bumper on the handrail/wall guard at the appropriate location. Continue aligning impact bumper over the length of the handrail/wall guard keeping it level. (See Figure 1)

3. Roll the surface of the impact bumper with an extension roller to provide a tight bond. (See Figure 2)

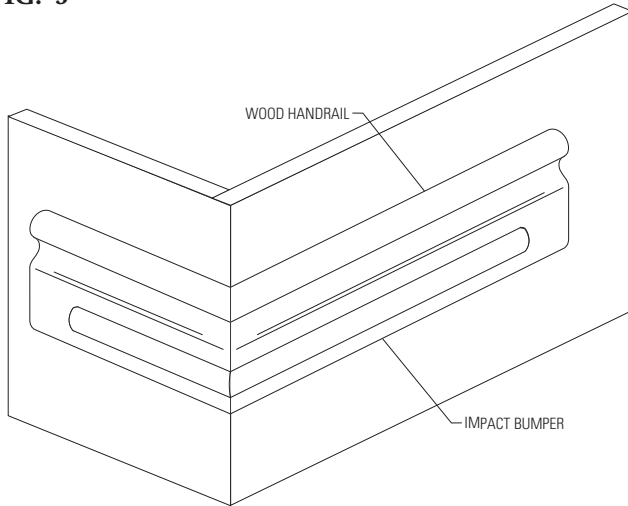
FIG. 2



Installation Instructions

100 Flexible Impact Bumper

FIG. 3



ALTERNATE INSTALLATION AT RETURNS/CORNERS

Alternate 1 - Miter cut the impact bumper at the returns or corners and mate the two sections with a butt joint.
(See Figure 3)

Alternate 2 - Drill a counter sunk hole in the impact bumper on both sides of the apex of the return or corner and secure the bumper to the rail with small flathead wood screws.
(See Figure 4)

FIG. 4

