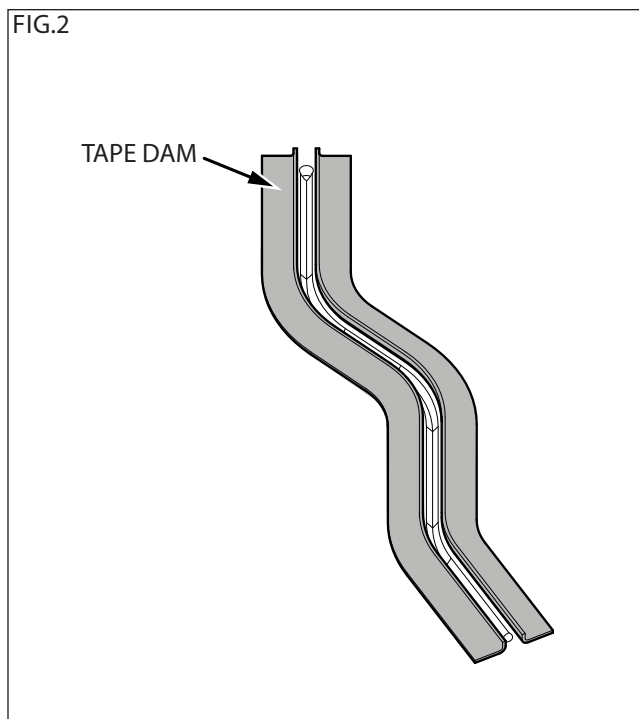
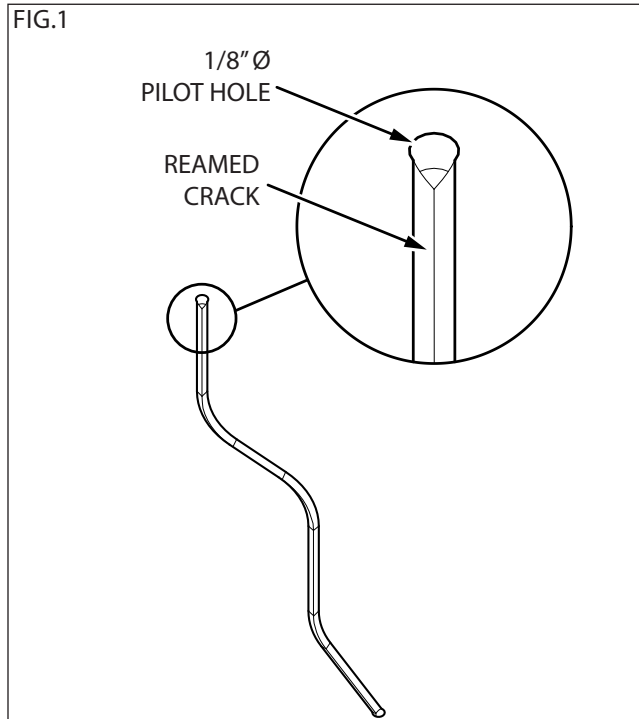


Prism™ Solid Surface Installation Instructions Patch Repair Kit

Please read all instructions before installing products.

Contents: Paper cups (Qty:10), Wooden mixing sticks (Qty:10), Instructions, 1 tablespoon measuring cup (Qty:2) , Resin, ATH filler, Color filler, Pigment (solid colors), Catalyst



1. When repairing a crack, drill an 1/8" diameter hole through the material at both ends of the crack. This will "dead-end" the crack and stop it from spreading. Ream out the crack, a minimum 1/8" deep, with a dremel. Use dremel bits #125, #107, or similar. For best results, slightly bevel the very top edge of the reamed area. *See Figure 1*
2. Clean the damaged surface and surrounding area with denatured alcohol. Make sure to get down into any voids. Allow all surfaces to dry.
3. Take blue painters tape and create a dam around the damaged area to eliminate any over spill onto other surfaces. *See Figure 2*
4. After damaged area is prepped, mix the patch kit. From the start of the next step (#5), you will have approximately 15 minutes until the repair material is beginning to cure and is un-pourable.
5. Pour 1 1/2" tablespoons of resin into the paper cup.
6. Dispense 15 drops of catalyst into the resin cup with an eyedropper. Stir in the catalyst for about 30 seconds. The resin will change from a pink/purple color to a yellow/tan color.
7. **For Solid Colors "Class A":**
 - Add 4-5 drops of pigment and mix, checking the color of the mixture against the color of your panels. Add more pigment until you are satisfied with the color match.
 - Add 2 tablespoons of ATH**For Solid Color w/Particulate "Class A1":**
 - Add 4-5 drops of pigment and mix, checking the color of the mixture against the color of your panels. Add more pigment until you are satisfied with the color match.
 - Add 1 tablespoon of ATH
 - Add 1 tablespoon Particulate Filler Color

Note:

The more pigment added, the longer it will take for the mix to solidify.

IPC.625/REV.8

ENDURANT® Washroom Systems

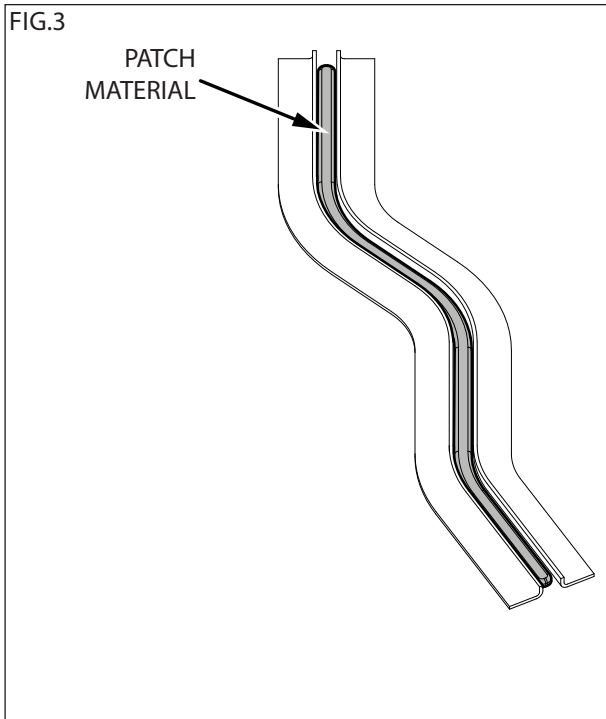
inpro.com • 800.222.5556 • 262.679.9010

World Headquarters S80 W18766 Apollo Drive, Muskego, WI 53150 USA

Installation Hotline: 866.394.6776

inpro®

Prism™ Solid Surface Installation Instructions Patch Repair Kit



For Particulate Colors "Class B":

- Add 1 tablespoon of ATH
 - Add 1 tablespoon of Particulate Filler Color
8. Stir steadily with a mixing stick for 30 seconds or until mix looks thoroughly combined.
 9. Overfill the damaged area with the mixture and allow it to harden completely. 4 hours is recommended; cooler temperatures require longer set-up times.
See Figure 3
 10. After the mixture is fully cured, sand the area with 80-120 grit sandpaper on a random orbital sander to just about flush with the surface. Sand in an orbital pattern overlapping 50% with each pass.
See Figure 4
 11. Continue sanding with 100 Micron paper, then 60 micron paper and finish with a maroon scotch-bright pad. For darker colors, you may need to continue finishing with grey and, if necessary, white scotch-bright pads. For best results blend patched area into a larger area surrounding it.

The above formula produces 2-3 ounces of material which is enough to patch 2 cubic inches. Due to lot variations, some color differences may occur.

